

LPA 5G MiMo & W-LAN Ceiling

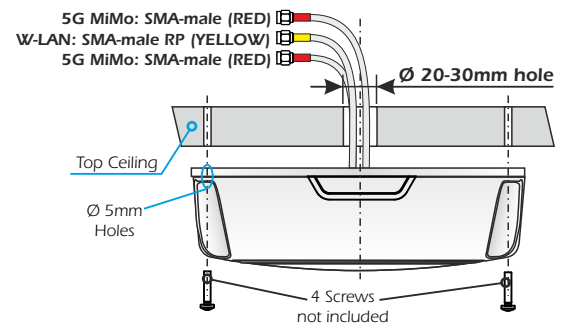
Low Profile Antenna 5G MiMo 2x & Wlan

Features:

- # Low profile antenna for indoor and outdoor ceiling installation
- # 5G MiMo 2x multi systems (2G-GSM, 3G-UMTS, 4G-LTE, 5G, LTE 700, ISM/LoRa, etc)
- # W-LAN Dual Band (2.4-2.485 GHz & 5.15-6 GHz)
- # 5G MiMo 2x: DC-Ground
- # Ground Plane independent
- # High Antenna Efficiency
- # Rear Cable Outlet
- # Completely sealed and waterproof IP65



Electrical Data	LPA 5G MiMo W-LAN
Type	Wide Band Low Profile
Frequency Range @ SWR ≤ 2	5G MiMo 2x: 698-960 MHz & 1.71- 3.8 GHz (2G, 3G, 4G, 5G) W-LAN: 2.4-2.485 GHz & 5.15-6 GHz (W-Lan Dual band)
Impedance	50 Ω
Polarization	Linear Vertical
Gain Max	5G MiMo 2x: 3 dBi @ 698-960 MHz; 7 dBi @ 1.71-3.8 GHz W-LAN: 3 dBi @ 2.4-2.485 GHz; 7 dBi @ 5.15-6 GHz
Typical Efficiency	5G MiMo 2x: > 80 % @ 698-960 MHz; > 85 % @ 1.71-3.8 GHz; W-LAN: > 90 %
Correlation Coefficient	5G MiMo 2x: < 0.05
Isolation	5G MiMo 2x Connectors: > 12 dB W-LAN Connector: > 20 dB to MiMo 2x Connectors
Max Power (CW) @ 30° C	10 Watts
Grounding Protection	5G MiMo 2x: all metal parts are DC-grounded, the inner conductor shows a DC-short W-LAN: the inner conductor shows an open circuit
Cables	3x 50cm White Low-Loss
Connectors	5G MiMo 2x: SMA-male (RED marked); W-LAN: SMA-male RP (YELLOW marked) (Other types on request)



Mechanical Data

Housing & Radome Material	ASA UL94 Thermoplastic, Brass, PCB
Dimensions (approx.)	200 x 200 x 62 mm, 0.66 x 0.66 x 0.2 ft
Weight (approx.)	400 gr, 0.9 lb
Operating Temperature	-30 °C to +70 °C
Ingress protection	IP 65
Installation type	On Ceiling / Wall: 4x Screws (not included)
SIRIO P/N	2219203/0.5SMA

Indoor / Outdoor:
ceiling / wall

